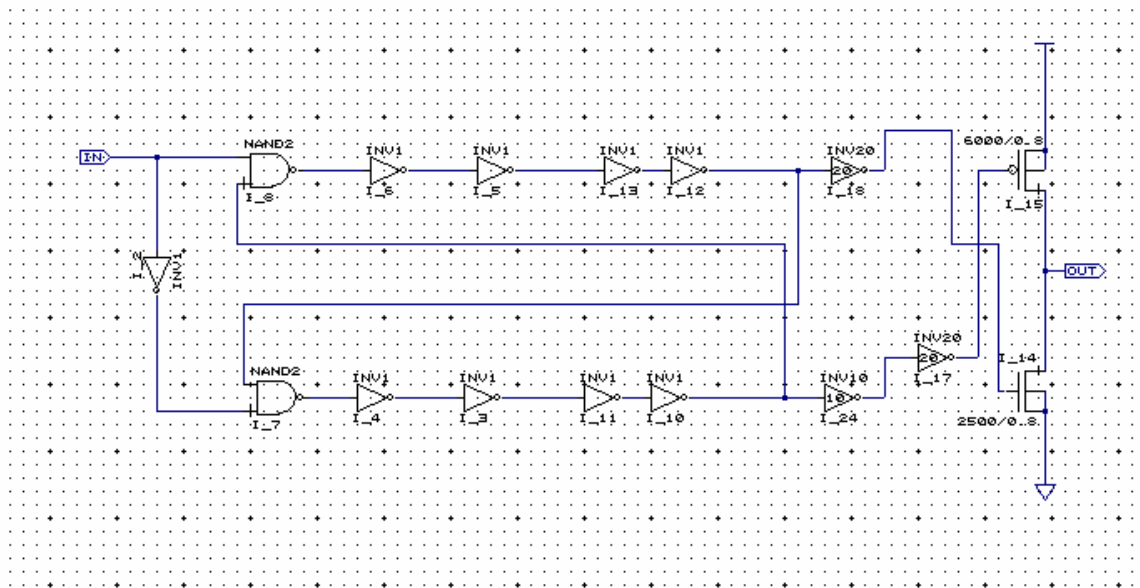


## A non overlapping clock driver



The RS flipflop sets the true and complement of the waveform. The inverters provide delays so that when the p – channel output transistor is ON the n – channel is OFF and vice-versa. A simple yet useful circuit.

The numbers inside the inverters indicate an inverter that is 10X a unit size ( minimum size) inverter or 20X a unit inverter.

This particular driver drives a 6nF capacitive load at rise and fall time of less than 10 ns.